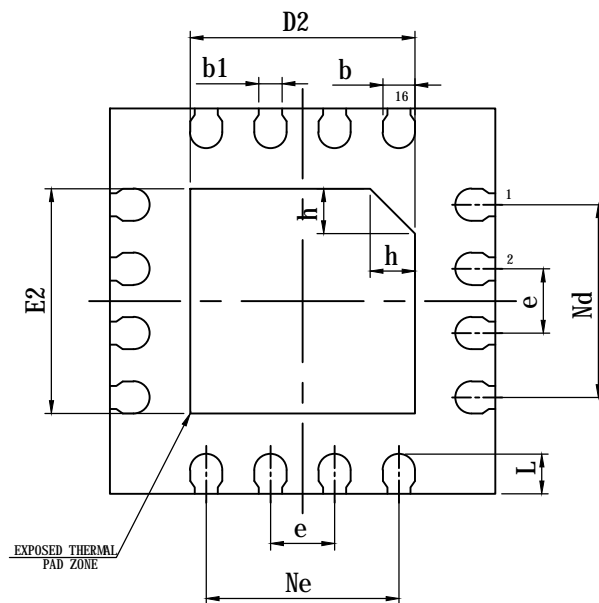
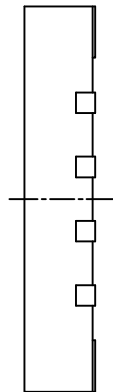
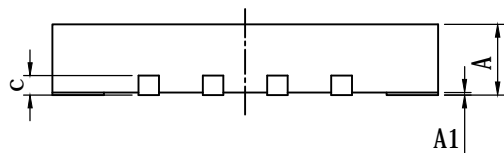


TOP VIEW




BOTTOM VIEW

SYMBOL	MILLIMETER		
	MIN	NOM	MAX
A	0.50	0.55	0.60
A1	0	0.02	0.05
b	0.20	0.25	0.30
b1	0.18REF		
c	0.15REF		
D	2.90	3.00	3.10
e	0.50BSC		
Ne	1.50BSC		
Nd	1.50BSC		
E	2.90	3.00	3.10
E2	1.65	1.75	1.85
L	0.25	0.30	0.35
h	0.30	0.35	0.40
	2.16*2.16		



SIDE VIEW

.....		
.....		
.....		
.....		
.....	5(.....	%%

 HuaTi an Technology (Xi ' an) CO. , LTD		
QFN16L(0303X0.55-0.50) (C)		
		. <HLS%\$ \$ \$ SSS'
mm		S
%		%
