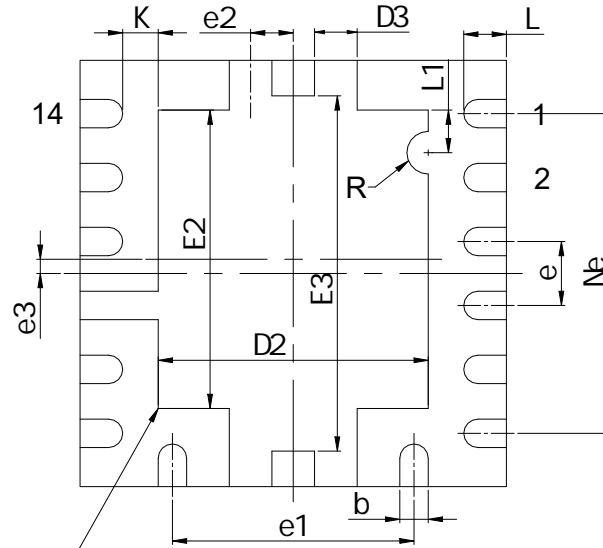
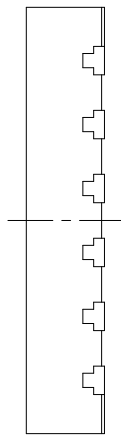


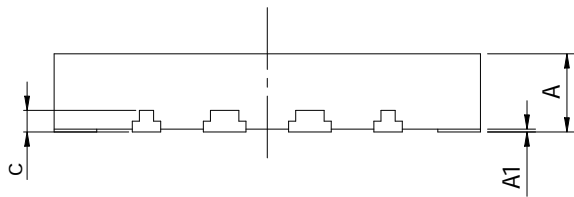
TOP VIEW



BOTTOM VIEW

EXPOSED THERMAL  
PAD ZONE

| SYMBOL | MILLIMETER |      |      |
|--------|------------|------|------|
|        | MIN        | NOM  | MAX  |
| A      | 0.50       | 0.55 | 0.60 |
| A1     | 0          | 0.02 | 0.05 |
| b      | 0.15       | 0.20 | 0.25 |
| c      | 0.152REF   |      |      |
| D      | 2.90       | 3.00 | 3.10 |
| D2     | 1.85       | 1.90 | 1.95 |
| D3     | 0.25       | 0.30 | 0.35 |
| e      | 0.45BSC    |      |      |
| e1     | 1.70BSC    |      |      |
| e2     | 0.30BSC    |      |      |
| e3     | 0.10BSC    |      |      |
| Ne     | 2.25BSC    |      |      |
| E      | 2.90       | 3.00 | 3.10 |
| E2     | 2.05       | 2.10 | 2.15 |
| E3     | 2.45       | 2.50 | 2.55 |
| L      | 0.25       | 0.30 | 0.35 |
| L1     | 0.30REF    |      |      |
| R      | 0.10       | 0.15 | 0.20 |
| K      | 0.25REF    |      |      |



SIDE VIEW

\*\*\*

D2/D3/E2/E3

+/- 0.05mm

|  |    |  |  |  |  |  |  |
|--|----|--|--|--|--|--|--|
|  |    |  |  | HuaTian Technology(Xi'an)CO.,LTD<br>: HTDX01403030002<br>CFN14L(C303X0.55-0.45)(A) |  |  |  |
|  |    |  |  |  |  |  |  |
|  |    |  |  |  |  |  |  |
|  |    |  |  |  |  |  |  |
|  | A4 |  |  |  |  |  |  |

