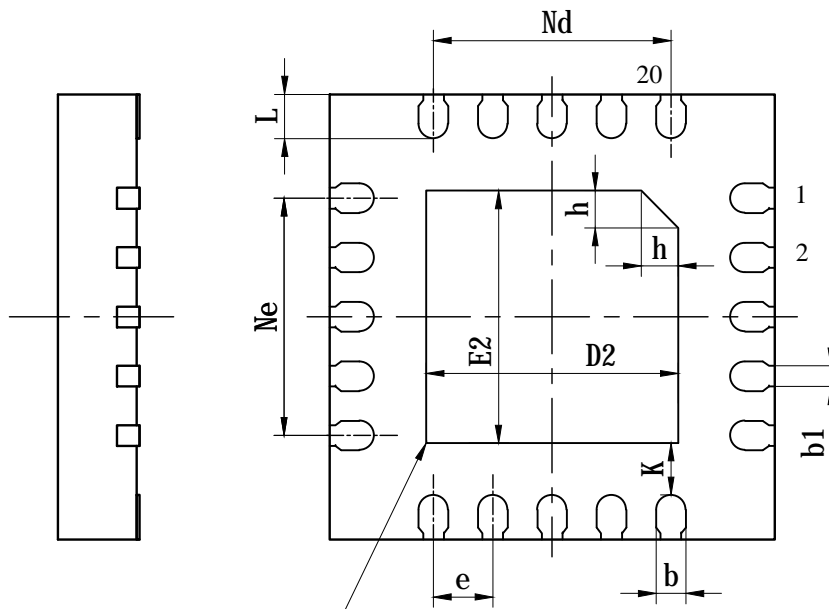


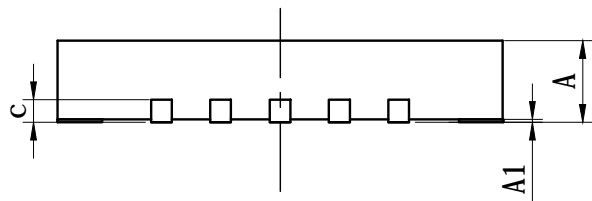
TOP VIEW



EXPOSED THERMAL  
PAD ZONE

BOTTOM VIEW

SYMBOL	MILLIMETER		
	MIN	NOM	MAX
A	0.50	0.55	0.60
A1	0	0.02	0.05
b	0.15	0.20	0.25
b1	0.14REF		
c	0.15REF		
D	2.90	3.00	3.10
D2	1.60	1.70	1.80
e	0.40BSC		
Ne	1.60BSC		
Nd	1.60BSC		
E	2.90	3.00	3.10
E2	1.60	1.70	1.80
L	0.25	0.30	0.35
h	0.20	0.25	0.30
K	0.30	0.35	0.40



SIDE VIEW

.....		.....	
.....		.....	
.....		.....	
.....		.....	

HuaTi an Technology(Xi 'an) CO. , LTD			
QFN20L(0303X0.55-0.40) (B)			
mm		S	
%		%	

5(

